



A flexible, lightweight and quick to deploy inflatable Single Assisted Decontamination Shower designed for the decontamination of both casualties and responders. Fully inflatable, the shower can be set up in a matter of minutes, and will stay standing without continuous inflation.

With no mechanical framework the shelters are lightweight to transport and compact to store. Showers can be used on hard or soft standing; ballast securing straps and guy ropes are provided for securing in position during inclement weather.

The shower is sized to accommodate a casualty on a spine board, with two medical personal in appropriate personal protective equipment. Designed to minimise water consumption, the shower includes two connection points for on demand spray guns or brushes and two shower nozzles with individual shut off valves.

The shower includes internal pockets and a hanging rail for equipment and a zipped pass-through port for transferring equipment without having to open the doors.

FEATURES

- Lightweight and easily portable
- Set up within a matter of minutes and will stay standing without continuous inflation
- Internal grab handles for balance while cleaning boots etc
- Front and rear doors with roll-up windows and blinds and zipped pass-through ports
- Sleeves for a portable air heater and pumped extraction of contaminated water are included as standard
- Internal hanging points for waterproof lighting (supplied separately)
- Attachment points for external ballast bags
- Can be used on hard or soft standing and guy ropes are provided for securing in position
- Minimal training, servicing and maintenance costs
- Available in White and Yellow PU material as standard

USED FOR

- Decontamination scenarios

SUPPLIED WITH

- Valise
- Repair kit
- Inflation hose - 1m (for use with 8 bar regulator)

OPTIONS & ACCESSORIES

- Inflatable casualty/spineboard support platform
- Non-slip self draining matting
- Colour coded groundsheet
- Ballast bags
- Customer branding
- Alternate canopy colours
- Direct cylinder connection for quick inflation (no regulator needed)



TECHNICAL DATA

Single Decon

| | |
|--|----------------------|
| Length (cm) | 290 |
| Int. Length (cm) | 250 |
| Width (cm) | 200 |
| Int. Width (cm) | 160 |
| Height (cm) | 248 |
| Int. Height - Max (cm) | 225 |
| Working Pressure (bar) | 0.38 |
| No. of chambers | 1 |
| Air Requirements (ltr) | 1185 |
| Max. Water Inlet Pressure (bar) | 3 |
| Recommended pump flow-capacity (liters/minute) | 7 ltr/min per nozzle |
| Number of Shower Nozzles | 2 |
| Number of Connectors | 2 |
| Heater Sleeves | 1 |
| Cable/Hose Sleeves | 4 |
| Pack size (cm) | 50 x 50 x 100 |
| Weight (kg) | 30 |

PRODUCT CODES

Single Assisted Decon

| | |
|--------------|--|
| Decon Shower | ● DSW029 |
| | ● DSW029/S |

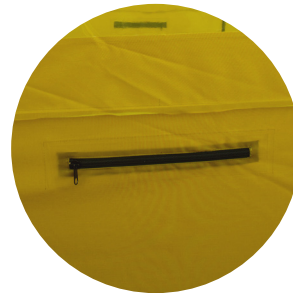
- **CAMLOCK Coupling System**
For a system with CAMLOCK couplings throughout order codes in green
- **Storz Coupling System**
For a system with Storz D25 couplings throughout order codes in blue



a Internal grab handles for support



b Internal pockets for medical equipment or stowing spray guns

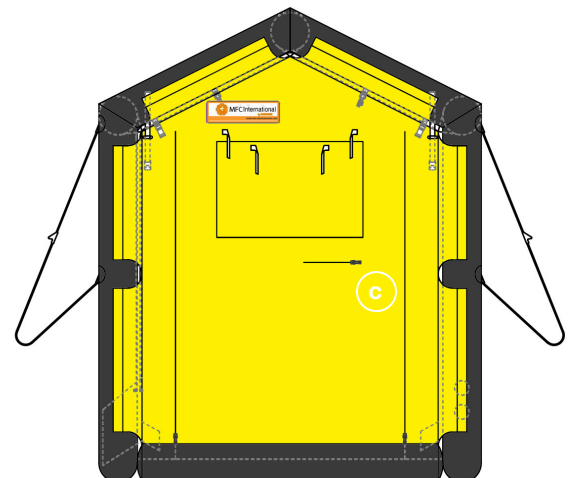
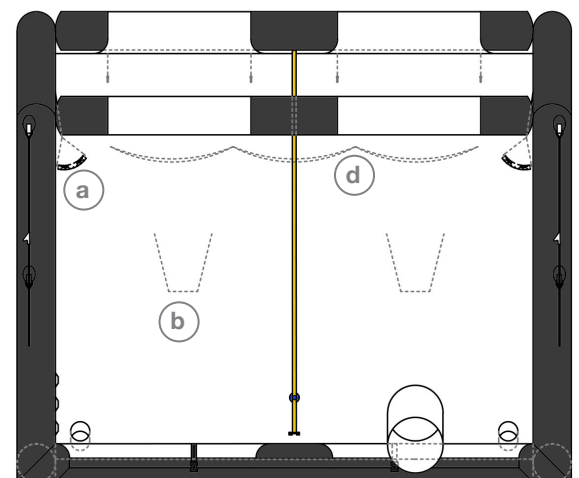


c Zipped pass through ports for medical equipment



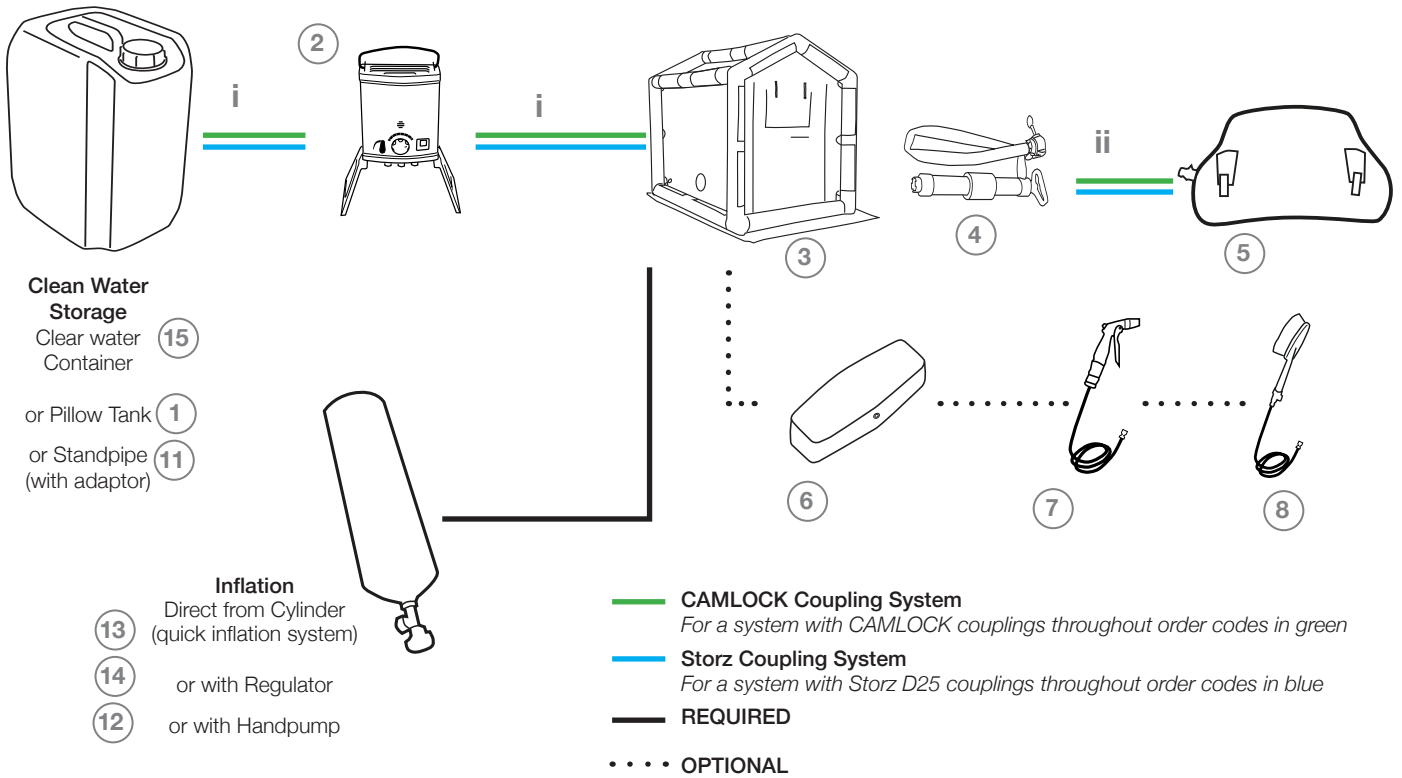
d Internal hanging rail for equipment

DETAIL DRAWING

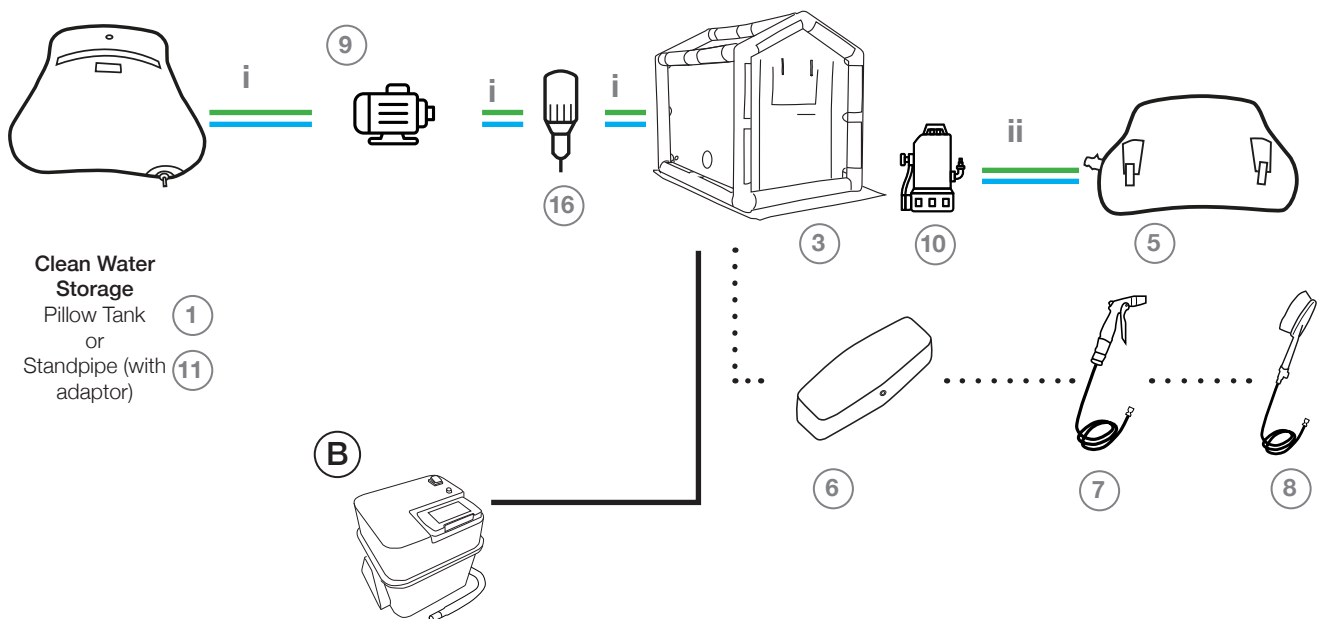




SYSTEM SCHEMATIC & COMPONENTS - OFF GRID SYSTEM



SYSTEM SCHEMATIC & COMPONENTS - ON GRID SYSTEM





SYSTEM COMPONENTS

1



Clean (Potable) Water Pillow Tank (500 ltr)
- Other sizes available, see website for details
Quantity Required: x1
Product code:
With Camlock Coupling
WS0027
With Storz Coupling
WS0027/001

2



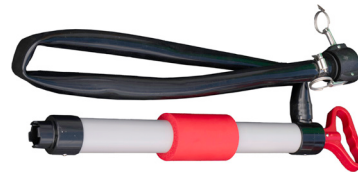
Portable Water Heater Inc 12v Pump
(Requires gas bottle)
Quantity Required: x1
Product code:
With Camlock Coupling
DSA014
With Storz Coupling
DSA014/01

3



Single Decon Shower
Yellow TPU
Quantity Required: x1
Product code:
With Camlock Coupling
DSW029
With Storz Coupling
DSW029S

4



Bilge Pump
Quantity Required: x1
(Only needed for off-grid)
Product code:
With Camlock Coupling
DSA013
With Storz Coupling
DSA013/001

5



Dirty (Contaminated) Water Pillow Tank (500 ltr)
- Other sizes available, see website for details
Quantity Required: x1
Product code:
With Camlock Coupling
WS0016
With Storz Coupling
WS0016/001

6



Inflatable Spine Board Platform
Quantity Required: x1
Product code: TBA

7



Spray Gun & Hose
Quantity Required: x1
Product code: DSA008/
Short

8



Spray Brush & Hose
Quantity Required: x1
Product code: 180035/
Short

9



Inlet Water Pump (230V)
230VAC as standard, see website for 110V product details
Quantity Required: x1
Product code:
With Camlock Couplings
DSA002
With Storz Couplings
DSA002/01

10



Submersible (Sump) Pump
Quantity Required: x1
Product code:
With Camlock Coupling
DSA004
With Storz Coupling
DSA004/01



SYSTEM COMPONENTS (CONTINUED)



11



Adapter

- To connect fire tender or stand pipe outlet to the decon system in place of a pillow tank and pump.

Quantity Required: x1

Product code:

Various models available depending on outlet coupling - Contact sales for details & product codes



12

Bravo 4 ALU R.E.D Hand Pump (180001)



13

Quick Inflation System Contact MFC for details



14

Regulator, 8 Bar (Regulator only: RE0034, Regulator & hose: RE0034/001)



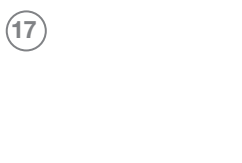
15

Clear Water Container 25l (060171)



16

Dosatron with Trolley - Required if the water heater does not include an injector for detergent/neutraliser. Quantity Required: x1 Product code: With Camlock Couplings **DSA005** With Storz Couplings **DSA005/001**



17

Rubber matting (DSW917)



18

Water Ballast Bags 25KG- WBB001 100KG - WBB002 50KG - TBC

HOSES



i

Green Clean Water Hose (2m)

Quantity Required: x3

Product code:

With Camlock Couplings

HS-05-02-02-22-22

With Storz Couplings

HS-05-02-02-23-23



ii

Clear Dirty Water Hose (2m)

Quantity Required: x1

Product code:

With Camlock Couplings

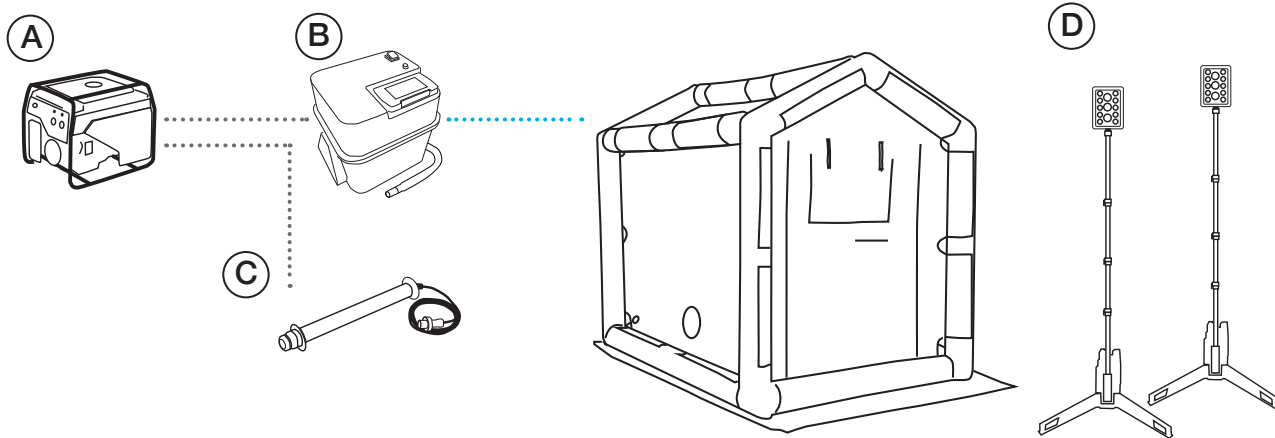
HS-06-06-02-22-22

With Storz Couplings

HS-06-06-02-23-23



ACCESSORY SCHEMATIC



A



Generator
Honda Step Hill 2.7kW
110v - DS9069
230v - TBC

C



Waterproof LED Interior Lights
23W, 2300 Lumens
(1x SLZ2323/5/01DWD - IP67 Lamp)
(1x SLZ005 - Hanging kit)
110v version available

B



Electric Inflator
GE1800 Standard
110v - TBC
230v - TBC

D



Waterproof LED Interior/Exterior Lights Tower Pro 2K
090067

E



5m LED Strip Light
110v - TBC
230v - TBC
18v Battery - TBC