



Lightweight and quick to deploy, the inflatable Four Person Decontamination Unit from MFC International allows for rapid response in a decontamination scenario.

The shower has entrance and exit zippered roll-up doors with a separate curtain fitted behind. A detachable internal partition is also provided. The shower system has two separate water feeds allowing the front half of the shower to be fed with water treated with a cleanser or neutralising agent, while the back half can be used to rinse off with clean water.

Raised floor panels prevent contact with contaminated shower wash-off, which is collected in a chemically resistant sump. Sleeves for pumped extraction of contaminated water are included as standard.

Showers can be used on hard or soft standing, and guy ropes are provided for securing in position during inclement weather.

FEATURES

- Lightweight and easily portable
- Set up within a matter of minutes and will stay standing without continuous inflation
- Raised floor panels and/or non-slip matting (both sold separately) prevent contact with contaminated shower wash off which is collected in a chemically resistant sump
- Sleeves for pumped extraction of contaminated water are included as standard
- Can be used on hard or soft standing and guy ropes are provided for securing in position
- Integral detachable groundsheet
- Two external shut off taps provide individual control of front and back shower stations - shower brush connectors are always 'on' as guns & brushes have individual controls - other options on request
- Minimal training, servicing and maintenance costs

USED FOR

- Decontamination scenarios

SUPPLIED WITH

- Valise
- Repair kit
- Inflation hose - 1m (for use with 8 bar regulator)
- Detachable internal partition
- Accessories kit bag, containing galvanised ground fixing pegs, rubber mallet and hand pump

OPTIONS

- Customer branding
- External inflatable sump after exit door (inflates with shower)
- Entrance & Exit Markings
- Non-slip self draining matting
- Colour coded groundsheet

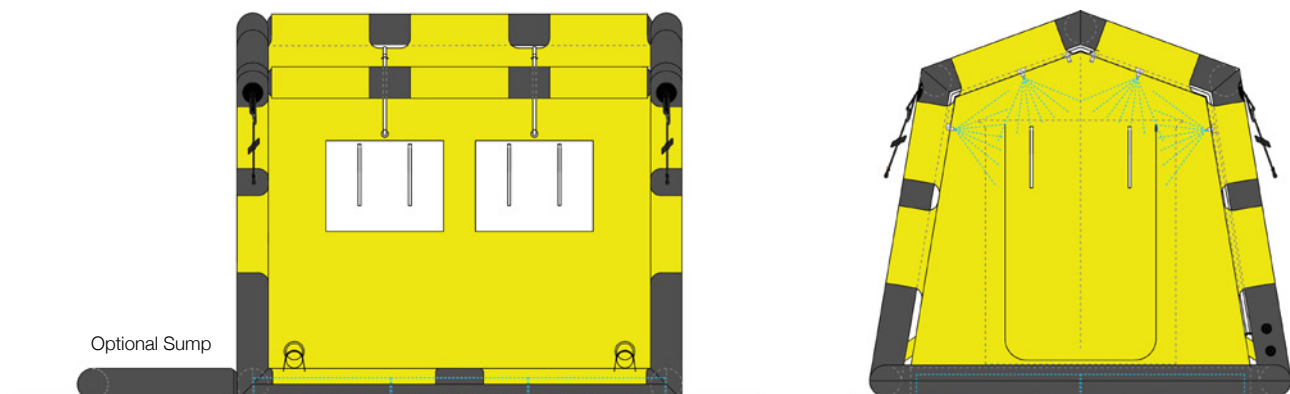
TECHNICAL DATA

MD4

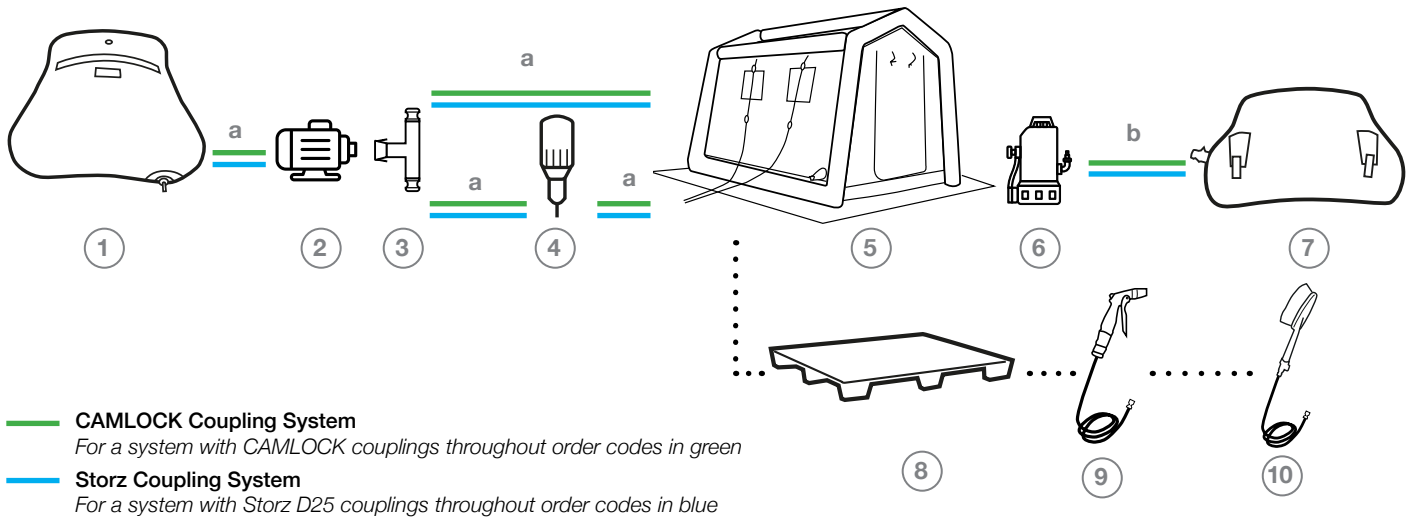
MD4 WITH SUMP

Product Code (CAMLOCK Coupling)	DSW017/005 ●	DSW017/003 ●
Product Code (Storz Coupling)	DSW017/007 ●	DSW017/006 ●
Length (cm)	350	350 + 105 (Sump)
Internal Length (cm)	300	300
Width (cm)	290	290
Internal Width (cm)	240	240
Height (cm)	290	290
Internal Height (cm): Maximum (without pallet floor)	260	260
Average (with pallet floor fitted)	246	246
Working Pressure (bar)	0.22	0.22
Number of Chambers	1	1
Air Requirements (ltr)	1370	1630
Recommended Water Inlet Pressure (bar)	3	3
Minimum Recommended Flow (ltr)	7 ltr/min per nozzle	7 ltr/min per nozzle
Number of Shower Nozzles	8	8
Number of Shower Hose/Brush Connectors	4	4
Number of Tubing Sleeves	4	4
Windows & Blinds	4	4
Pack Size (cm)	128 x 70 x 50	128 x 70 x 50
Weight (kg)	55	60

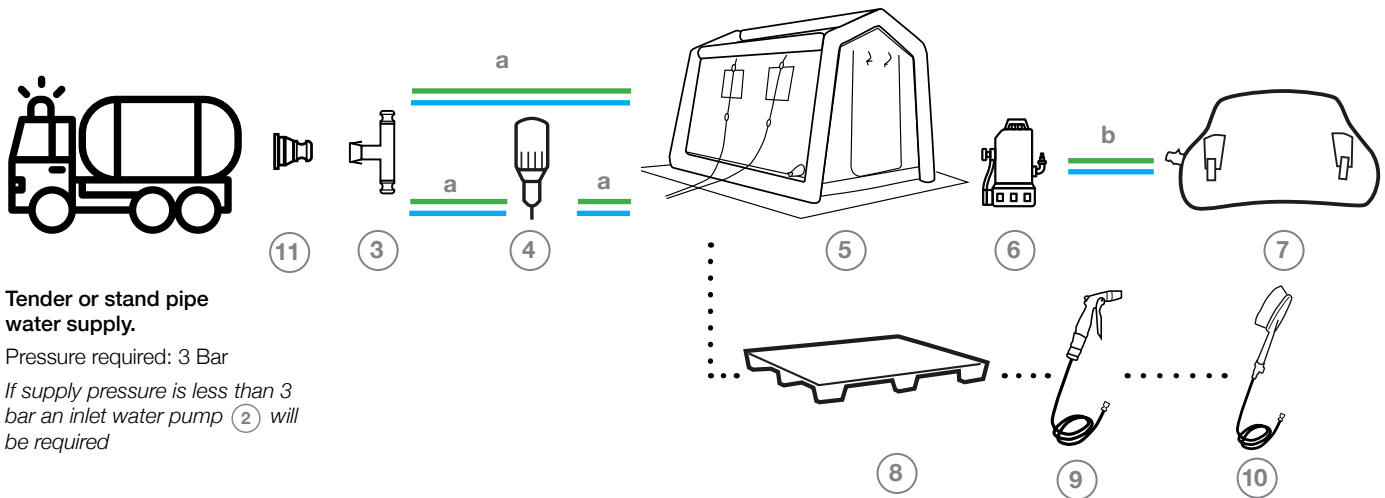
DETAIL DRAWING



SYSTEM SCHEMATIC & COMPONENTS - PILLOW TANK SUPPLIED SYSTEM



SYSTEM SCHEMATIC & COMPONENTS - TENDER SUPPLIED SYSTEM



SYSTEM COMPONENTS



Clean (Potable) Water Pillow Tank (1000 ltr)
 - Other sizes available, see website for details
 Quantity Required: x1
 Product code:
 With Camlock Coupling
WS0028/21
 With Storz Coupling
WS0028/23



Inlet Water Pump (230V)
 Quantity Required: x1
 Product code:
 With Camlock Couplings
DSA002/21
 With Storz Couplings
DSA002/23

SYSTEM COMPONENTS (CONTINUED)

3



T-Piece

Quantity Required: x1
Product code:
With Camlock Couplings
DSA009/22/21
With Storz Couplings
DSA009/23/23

4



Dosatron with Trolley

Quantity Required: x1
Product code:
With Camlock Couplings
DSA005/21
With Storz Couplings
DSA005/23

5



Four Person Decon Shower With Sump

- see technical data table for codes without sump
Quantity Required: x1
Product code:
With Camlock Coupling
DSW017/003
With Storz Coupling
DSW017/006

6



Submersible (Sump) Pump

230VAC as standard, see website for 110V product details
Quantity Required: x1
Product code:
With Camlock Coupling
DSA004/21
With Storz Coupling
DSA004/23

7



Dirty (Contaminated) Water Pillow Tank (1000 ltr)

- Other sizes available, see website for details
Quantity Required: x1
Product code:
With Camlock Coupling
WS0017/21
With Storz Coupling
WS0017/23

8



Pallets for Decon Floor

Standard Pallet
Quantity Required: x5
Product code: 140027
Pallet with Pump Cut-Out
Quantity Required: x1
Product code: DSA007

9



Spray Gun & Hose

Quantity Required: x2
Product code: DSA008

10



Spray Brush & Hose

Quantity Required: x2
Product code: 180035

11



Adapter

- To connect fire tender or stand pipe outlet to the decon system in place of a pillow tank and pump.
Quantity Required: x1
Product code:
Various models available depending on outlet coupling - Contact sales for details & product codes

HOSES



a Green Clean Water Hose (2m)

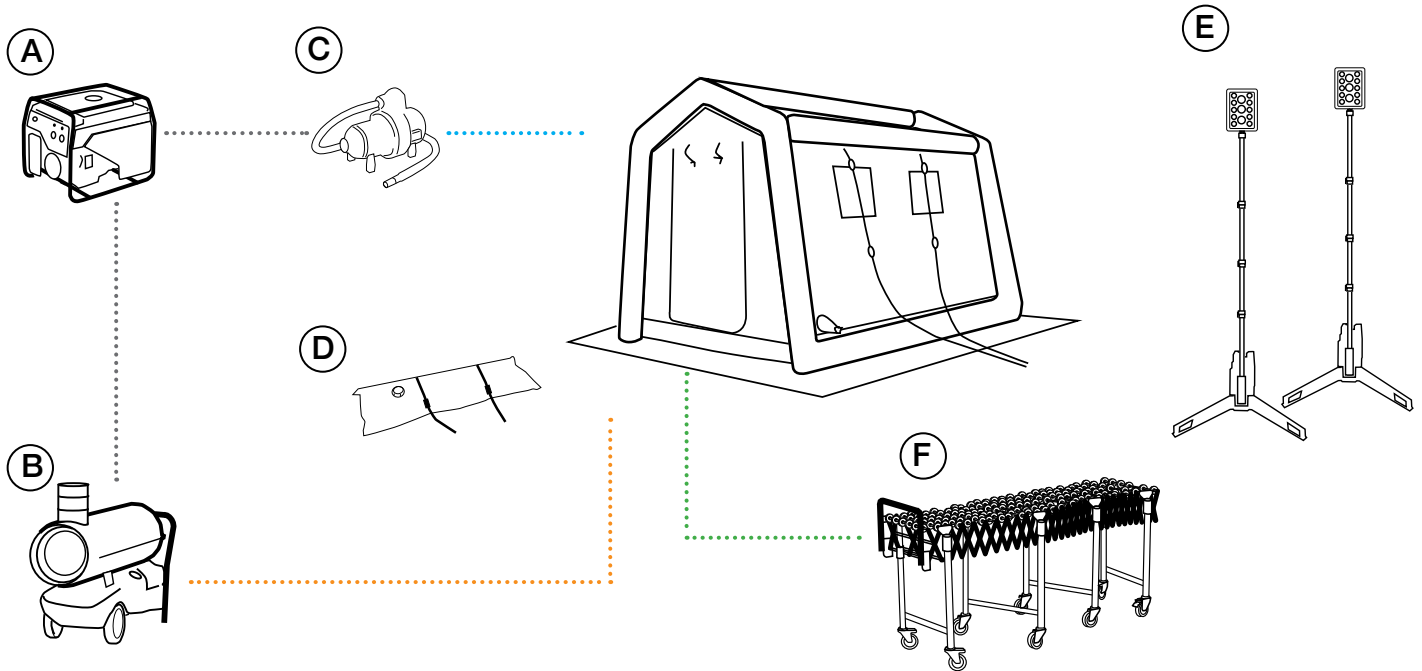
Quantity Required: x4
Product code:
With Camlock Couplings
HS-05-02-02-22-22
With Storz Couplings
HS-05-02-02-23-23



b Clear Dirty Water Hose (2m)

Quantity Required: x1
Product code:
With Camlock Couplings
HS-06-06-02-22-22
With Storz Couplings
HS-06-06-02-23-23

ACCESSORY SCHEMATIC



A



Generator
Honda 5.5kW 4-stroke petrol
(1x EG5500CL)

D



Ballast Bags
For use on hard standing
(4x WBB001)

B



Heater & Ducting
Small heater - for a single shower
32kW heat output
(1x 1101503 - Heylo KS30T Heater)
(1x 91250069 - High temp air hose)

Larger Heater - up to three showers/
shelters - 83kW heat output
(1x 1101600 - Heylo K80)
(1x 1200011 - Outlet plate)
(3x 1250081 - Air hose - 7.5m)
(3x 1250091 - Hose clamps)

E



**Waterproof LED Exterior Rechargeable
Flood Lights - Max 16,000 Lumens**
(2x NSSOLARISPRO)

C



Electric Inflator
Bravo 2000, 230VAC
(1x 180026)
*Equipment for inflation from compressed
air cylinder also available*

F



Patient roller conveyor - 4.5m
Optional: for assisted casualty
decontamination
(1x CON4500)